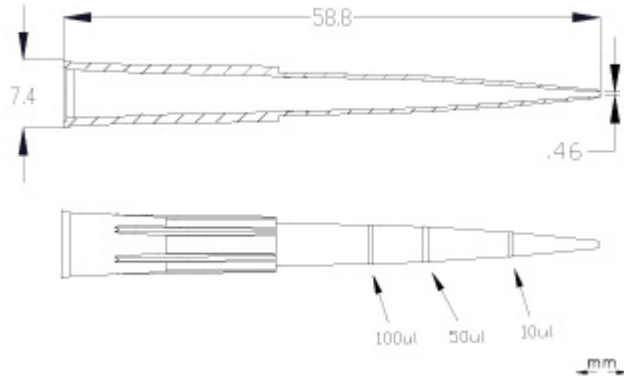


200 µl (1-330 µl) OneTouch - Catalog #10330



Catalog #	Description
10330	Natural, Polypropylene

Packaging Type	Packaging Details
Racked Tips	Non-Sterile, 96 Tips/Rack, 10 Racks/Pack, 5 Packs/Case, Cell Rack

Attributes



Volume Range: 1-330 µl
Grad Lines: 10, 50, 100 µl

Certified Human DNA Free
Certified PCR Inhibitor Free
Certified Pyrogen Free